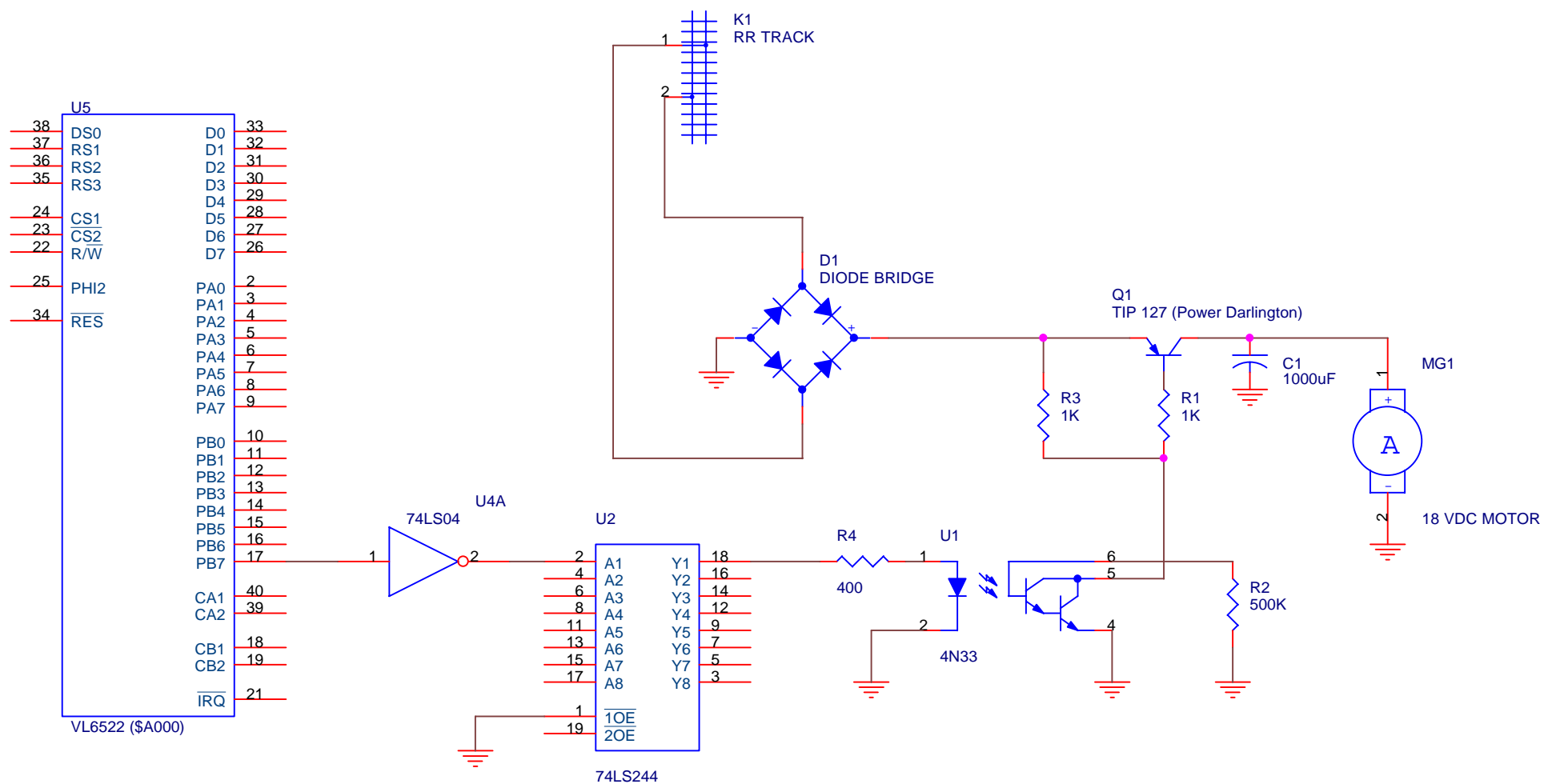


Auxillary Power Supply



Title		
Auxillary Power Supply		
Size	Document Number	Rev
A	<Doc>	
Date:	Thursday, April 04, 2002	Sheet 1 of 1