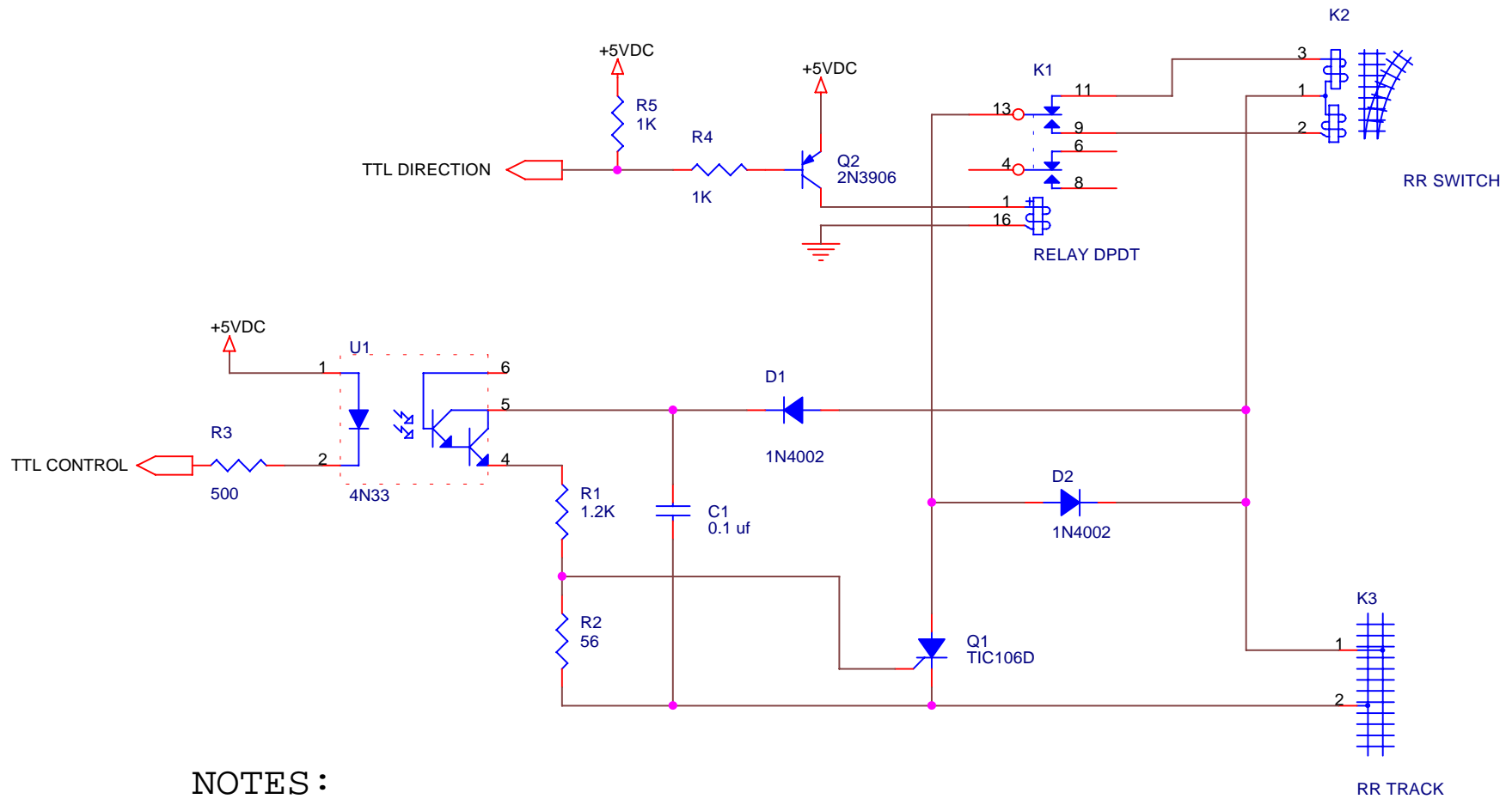


RR SWITCH CONTROL -- SCR DURING POWER FRAME



NOTES :

1. DIODE D2 PROTECTS SCR FROM BACK EMF

Title		
RR SWITCH CONTROL USING SCR		
Size	Document Number	Rev
A	<Doc>	
Date:	Friday, March 24, 2000	Sheet 1 of 1