

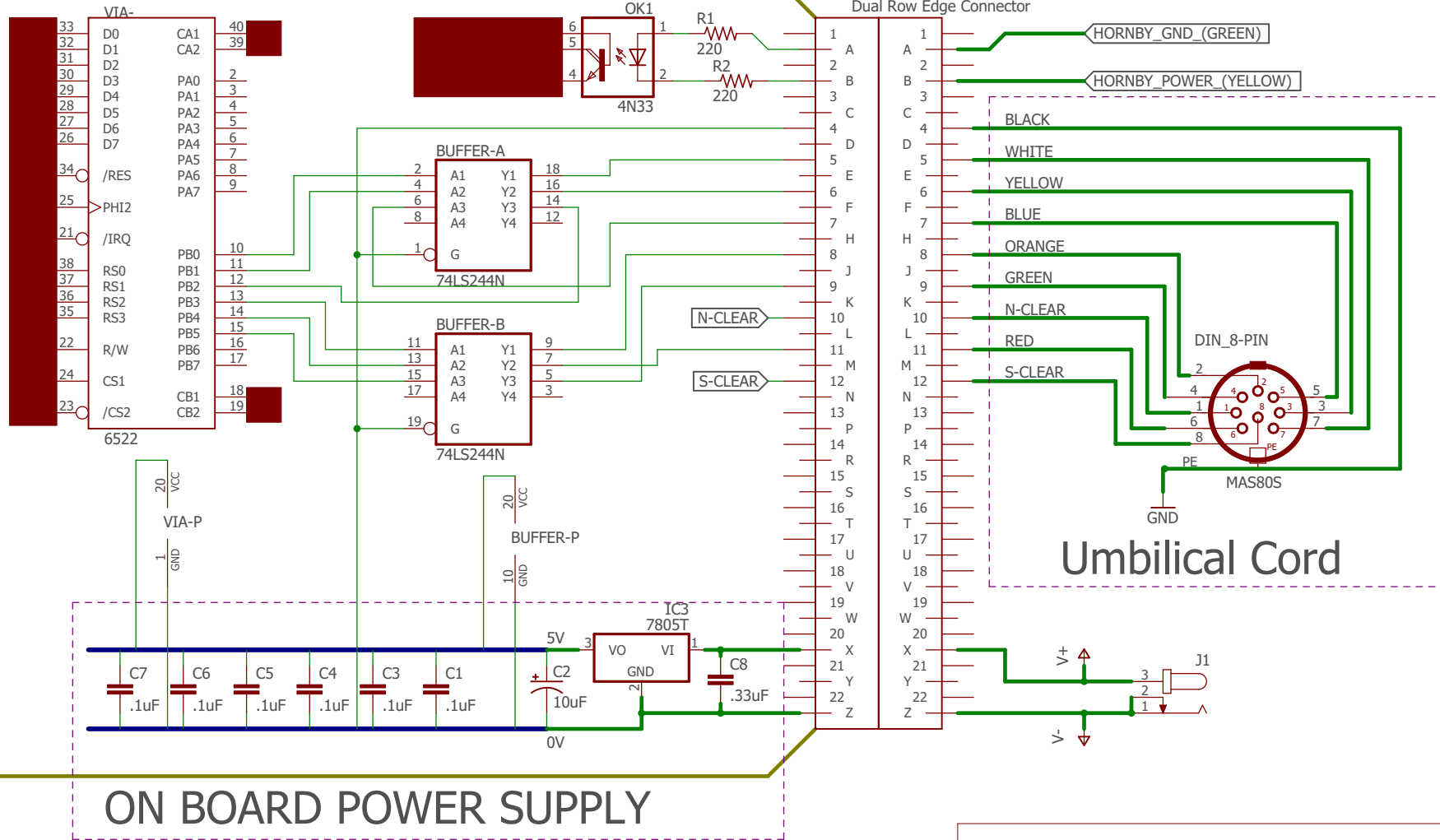
TEST-STAND CONNECTIONS

Vector 3662 Plugboard

Vector R644 44-pin (22x2)
Dual Row Edge Connector

Notes:

1. DIN 8-pin , each signal line twist with separate ground.
2. Ground lines connect together at Edge Connector.
3. Twisted grounds not connected (open) at DIN 8-pin.
4. Don't forget to power 74LS244 buffer.
5. If computer is working but block lights do not work, connect Pin 15 of buffer from PB5 to PB6
6. N-Clear and S-Clear, if used, should be connected to an OPEN-COLLECTOR output IC. If un-used, leave disconnected.



Notes:

1. A heat sink should be used with the regulator.
2. Heat sink thermal compound needs to be used between heat sink and regulator.
3. Use a small machine screw and nut to clamp the heat sink to the regulator.
4. Heat sink should float above board. Staggering regulator leads into a triangle footprint help stability and make soldering easier.
5. Use of 30awg on Vector Board, 22awg off-board. The only exception being the voltage regulator to the power bus bars.

TITLE: Test-Stand connections

Document Number:

REV:

By: Jonathan Prévost

Date: 11/15/17 7:13 PM

Sheet: 1/1