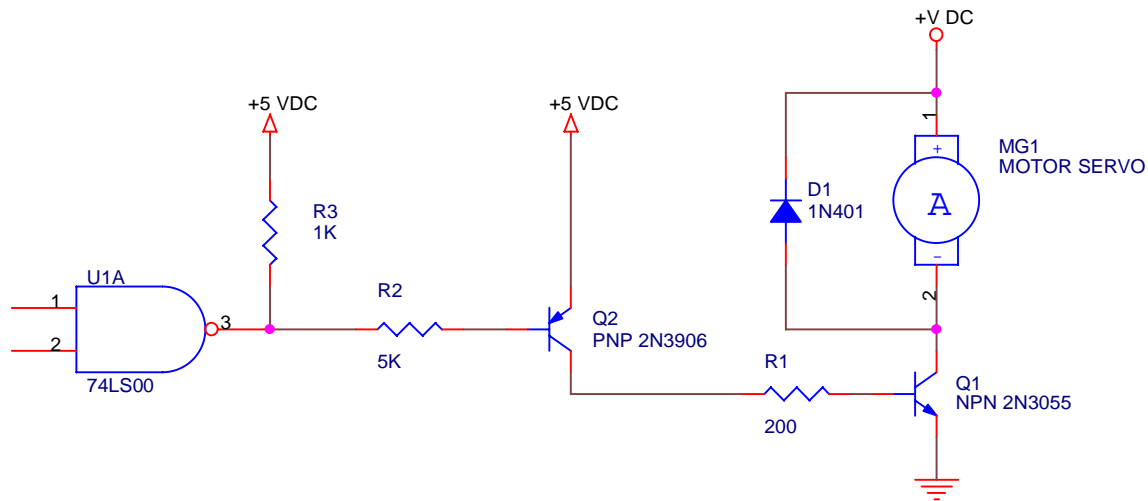


TTL Control of DC Motor



Notes:

1. +V should be greater than or equal to 5V DC
2. 200 ohm resistor limits motor current to about 250 ma

Title		
TTL Control of DC Motor		
Size	Document Number	Rev
A	<Doc>	
Date:	Thursday, March 09, 2000	Sheet 1 of 1