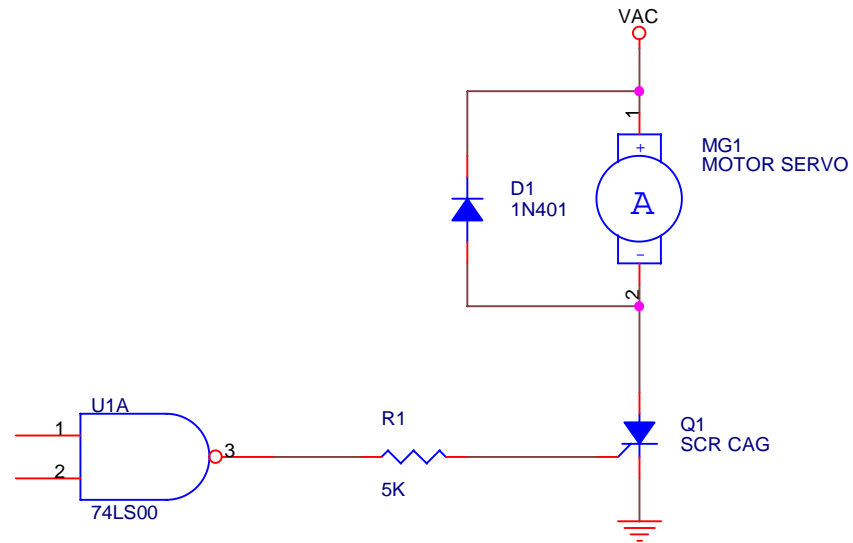


TTL Control of DC Motor using SCR



Notes:

1. Positive TTL pulse turns on SCR
2. Negative pulse (i.e. below ground) turns SCR off
3. SCR also turned off by motor polarity reversal
4. Diode protects SCR
5. Motor travels in one direction only

Title		
TTL Control of Motor using SCR		
Size	Document Number	Rev
A	<Doc>	
Date:	Wednesday, March 08, 2000	Sheet 1 of 1