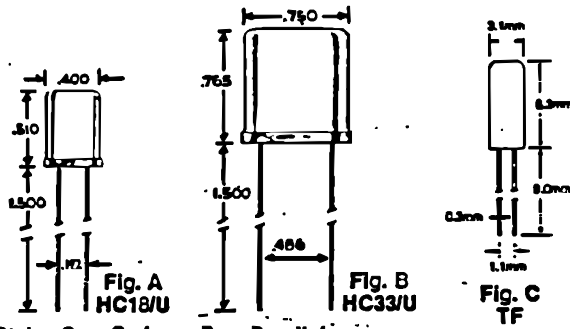


# CRYSTALS



Style: S = Series P = Parallel

**\*\*GENERAL PURPOSE\*\* CALIBRATION AT AMBIENT TEMPERATURE (25°) IS WITHIN  $\pm .005\%$  OF SPECIFIED FREQUENCY. \*In the Case/Style column below, we have listed the case and style (series or parallel resonance) of the crystal. If it is parallel resonance, we have listed the load capacitance. For example:**

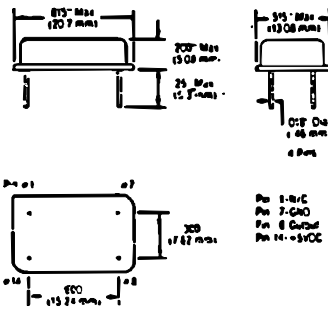
CY1A BP13 = HC/33U Parallel 13pF  
(Case) (Resonance) (Load Cap.)

Part No.	Frequency	Use With:	*Case/Style	Price
CY1A	1.000MHz	FSC, AMI, MOT6800 MOSTEK P8	BP13	\$5.95
CY1.84	1.8432MHz	MOT MC14411	BP13	5.95
CY2A	2.000MHz	RCA CDP1802	BP20	5.95
CY2.01	2.010MHz	GI AY-3-8500-1	BS	1.95
CY2.45	2.4576MHz	34702, IM600C	BS	4.95
CY2.50	2.500MHz	Zilog Z80	BS	4.95
CY3.27	3.2768MHz	Intersil 7205	BS	4.95
CY3.57	3.579345MHz	NSC MMS369	BP18	4.95
CY3A	4.000MHz	Intersil 6100, Zilog Z8Q	AP20	4.95
CY4.19	4.194304MHz	ICM 7038A	AS	4.95
CY4.91	4.9152MHz	Mostek Z80, Zilog Z80A	AS	4.95
CY5.24	5.24288MHz	Intersil 7207	AP20	4.95
CY7A	5.000MHz	Western Digital MCP1500	AP20	4.95
CY5.088	5.0888MHz	COMSO15	AS	4.95
CY5.18	5.185MHz	Intel 4004, 4040	AP20	4.95
CY6.00	6.000MHz	CP1800, 8035, 8048, 8049, 8747, MC548	AS	4.95
CY6.14	6.144MHz	Intel P8085	AP30	4.95

Part No.	Frequency	Use With:	*Case/Style	Price
CY6.40	6.400MHz	RCA CDP1802	AP20	\$4.95
CY6.55	6.5536MHz	Intersil 7207, 7045	AP20	4.95
CY8.000	8.000MHz	CP1800, IM6100C, TMS9980, 8X300, MC5875	AS	4.95
CY12A	10.000MHz	TTL Micro Logic	AS	4.95
CY14A	14.31818MHz	4X Color Burst	AS	4.95
CY15.00	15.000MHz	8080, 8008, 8224, 8284	AS	4.95
CY19A	18.000MHz	Intel 8080A	AS	4.95
CY18.43	18.432MHz	AMD, NEC 8080A	AS	4.95
CY20A	19.6608MHz	8080, 8008, 8224	AS	4.95
CY22A	20.000MHz	Intel 8080/8008	AS	4.95
CY22.11	22.1164MHz	AM 9080, UCOM80, 8080A, TMS 8080	AS	4.95
CY30A	32.000MHz	8080, 8008, 8224	AS	4.95
NTF32.36	32.768KHz	Watchdog	CP10.5	3.95
CY35.00	35.000MHz	8080, 8008, 8224, 8080A	AS	4.95
CY48.00	48.000MHz	TMS9400, 9404, SNLS362	AS	4.95
SRX1504	49.435MHz	LM1872N	AP24	4.95
SRX1505	49.690MHz	LM1871N	AS	4.95

## CRYSTAL CLOCK OSCILLATORS — TTL Only —

A single component oscillator utilizing a combination of thick film hybrid and quartz crystal technology. Suitable for use in computer and digital based equipment. Frequency stability  $\pm 100$  ppm. Input voltage: +5VDC,  $\pm 0.5$ VDC. Maximum current: 20mA.



Part Number	Frequency	Price
OSC 1.000	1.0000 MHz	\$9.95
OSC 1.843	1.8432 MHz	9.95
OSC 2.000	2.0000 MHz	9.95
OSC 4.000	4.0000 MHz	9.95
OSC 8.000	8.0000 MHz	9.95
OSC 10.000	10.0000 MHz	9.95
OSC 18.432	18.4320 MHz	9.95
OSC 19.660	19.6608 MHz	9.95
OSC 20.000	20.0000 MHz	9.95
OSC 32.000	32.0000 MHz	9.95

BOTTOM VIEW

38