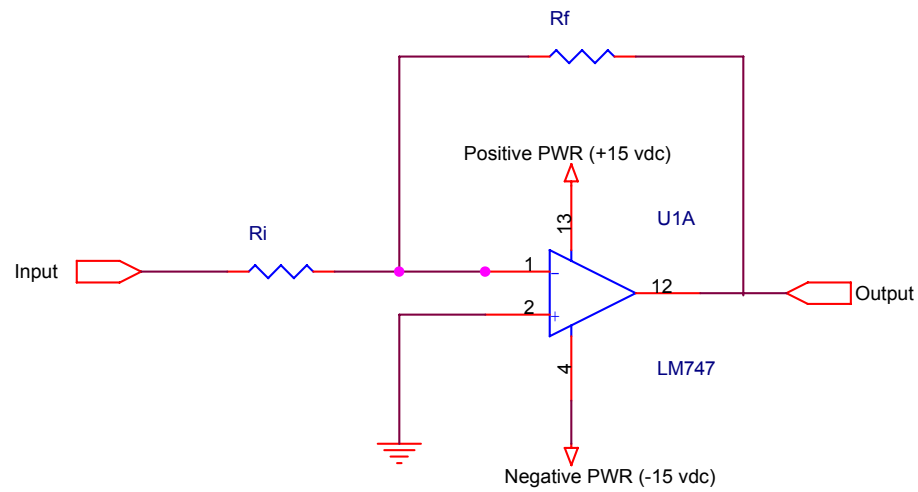


# Inverted Amplifier

$$V_{out}/V_{in} = - R_f/R_i$$



Title		
Inverted Amplifier		
Size	Document Number	Rev
A	MAE433 Circuits	A
Date:	Wednesday, January 22, 2003	Sheet 1 of 1