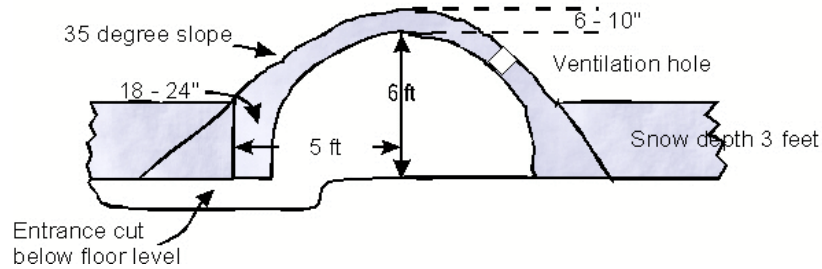


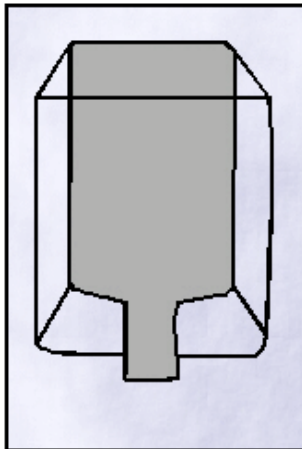
OA Guide to Snow Shelters
by Rick Curtis

Snow Mound Shelter - Quin-zhee
for 4 people

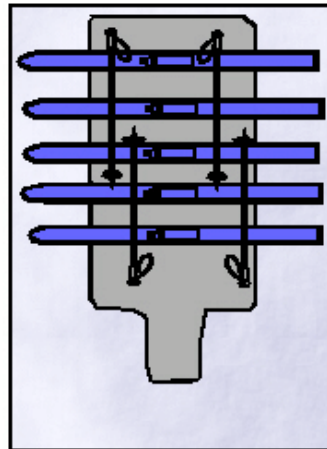


Snow Trench Shelter

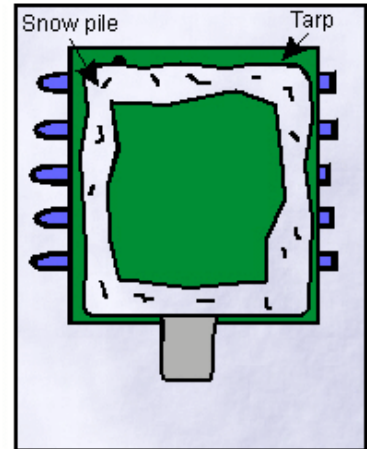
Top view



Dig a trench in the snow. Beveling the walls as you go down makes a bigger sleeping area with a smaller roof opening to cover.

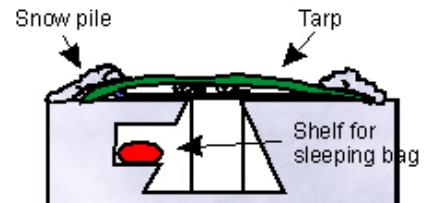
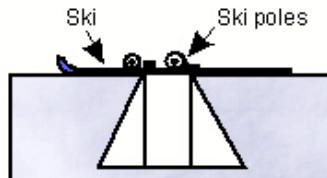
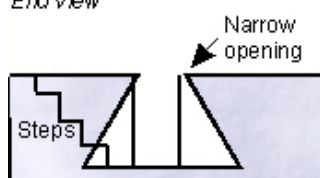


Skis and poles are laid across the trench.

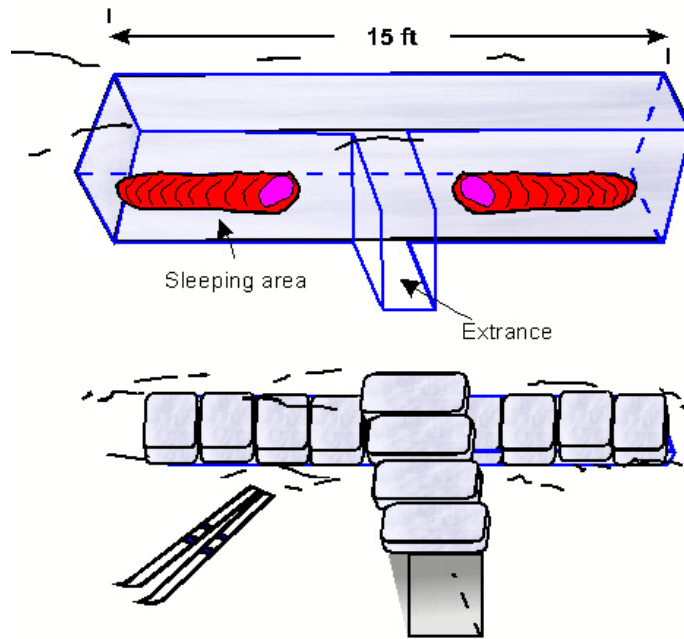


Tarp placed over skis. Snow Piled around perimeter.

End view



Snow Trench Shelter

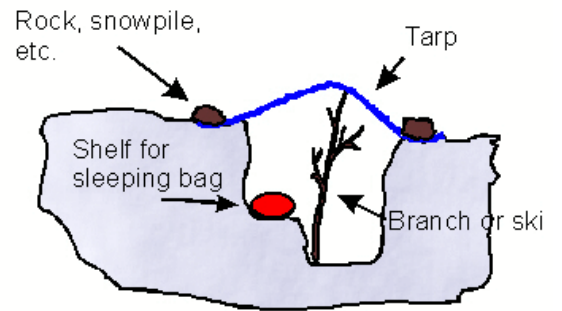


Dig blocks out of the snow to create a T-shaped trench.
Shape the blocks to create the roof.

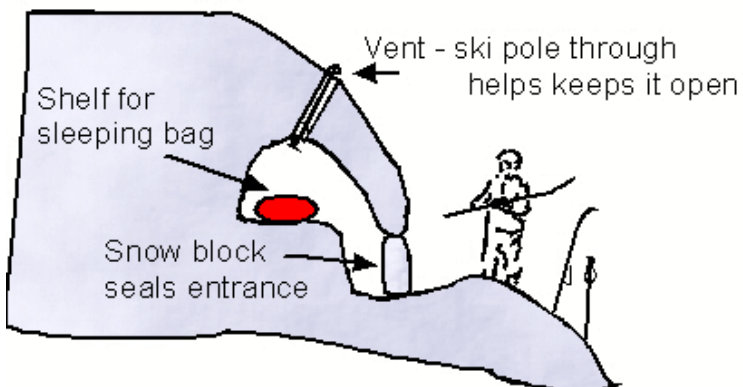
Snow cave digging under tree branches



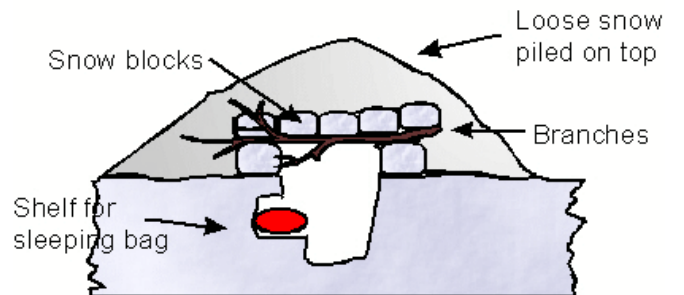
Snow Trench Shelter



Snow cave on a slope



Snow Mound Trench Shelter



Igloo Construction

