

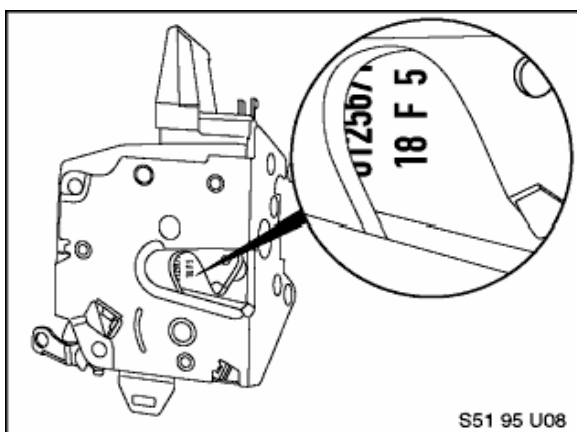
SUBJECT: Door Will Not Open

MODELS: E38

Situation: Some E38s may experience a problem with a front or rear door that will no open when attempted from either the inside or outside handles, even though the electrical lock mechanism is working properly.

Rotary latches produced prior to May 3, 1995 can have a sticking internal operating lever that causes this to happen. Latch assemblies produced since that date have been modified to prevent them from sticking.

Correction: In case of customer complaint, replace the affected latch with the later production (May 3 1995 or later) version. The production date of the latch can be determined by rotating the rotary catch to the half-closed position. Look through the opening in the rotary catch, and the part number and the production code can be seen in the black plastic housing of the catch.



The production date will be given as two numeric digits, one alpha digit and one numeric digit.

Example: Date code on latch reads 18 F 5

18 = 18th day of

F = June

5 = 1995

Repair Hint: If the door cannot be opened, carefully release the top of the inner door panel and insert a long screwdriver or similar tool down into the door. Place the tip of the tool on the latch assembly and rap the end. This will often get the latch to release. Use the new latch as a visual guide as to where to place the tip of the tool for best effect.

Warranty Status: Covered under the terms of the BMW New Car Limited Warranty.

Front Door

Defect code: 51 21 00 29 00
Labor Operation: 51 21 090
Labor Allowance: 13 FRU
Parts Allowance: 51 21 8 125 665 Left Front Door
51 21 8 125 666 Right Front Door

Rear Door

Defect Code:
51 22 02 29 00
Labor Operation: 51 22 090
Labor Allowance: 11 FRU
Parts Allowance: 51 22 8 125 671 Left Rear Door
51 22 8 125 672 Right Rear Door