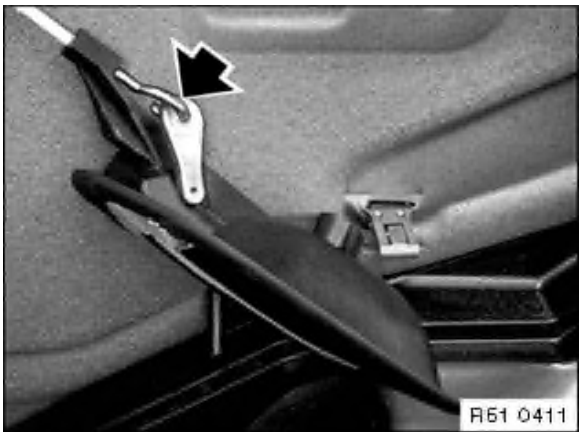


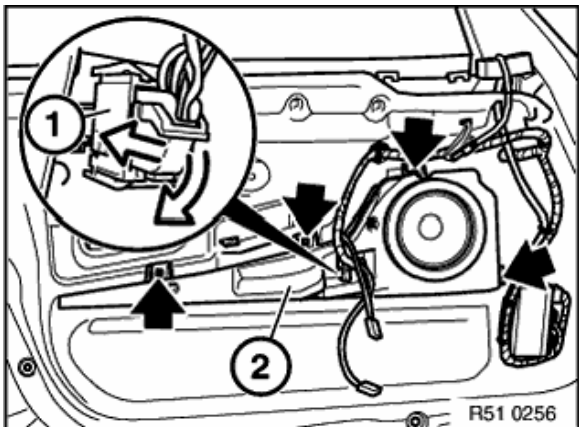
Disconnect negative battery lead,
refer to General Information MG 12
Adjust front door window,
refer to 51 32 154



Version with side airbag in front door:
Removing and installing airbag module on left or right front door,
refer to 72 12 010

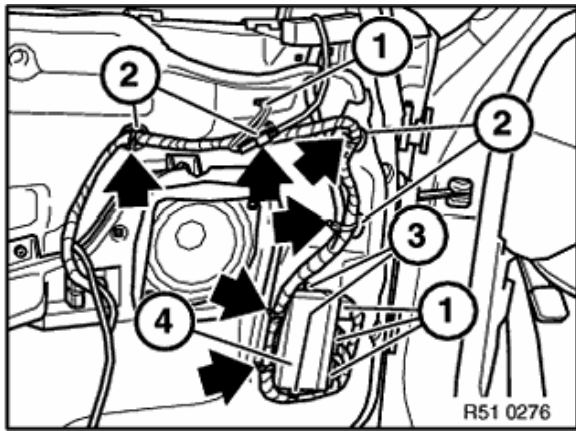


Disconnect door handle and remove.



Press down connector fastener, slide lever downwards and remove
connector (1) (loudspeaker).

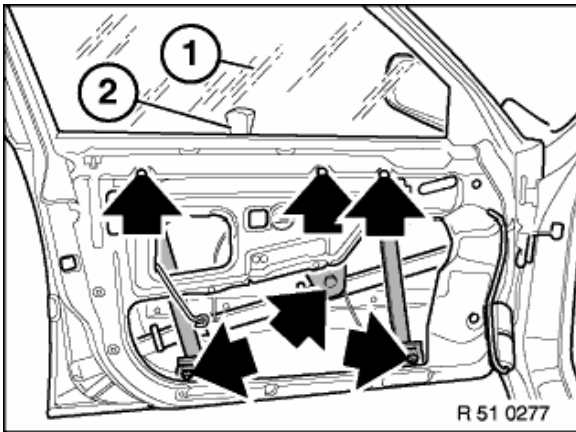
Unfasten screws and remove loudspeaker box (2).



Unlock connector (1) and remove. Unfasten screws (3) and remove control unit (4).

Cut through cable connector and remove cable holder (2) (expanding rivets).

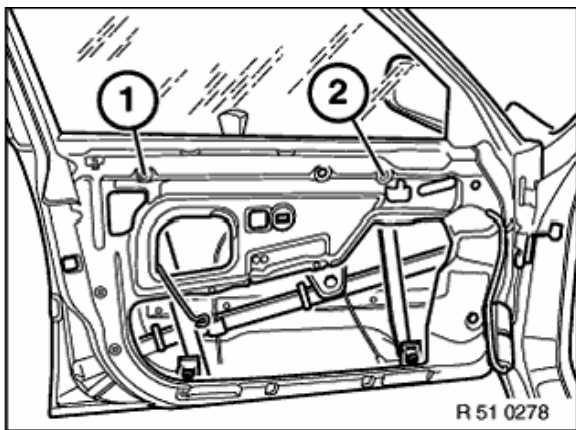
Completely remove acoustic insulation.



Lift door window (1) upwards and wedge into place with wooden chock (2).

Remove connector from window regulator drive unit.

Unfasten screws (only loosen lower 3 screws) and remove complete cable on window regulator.

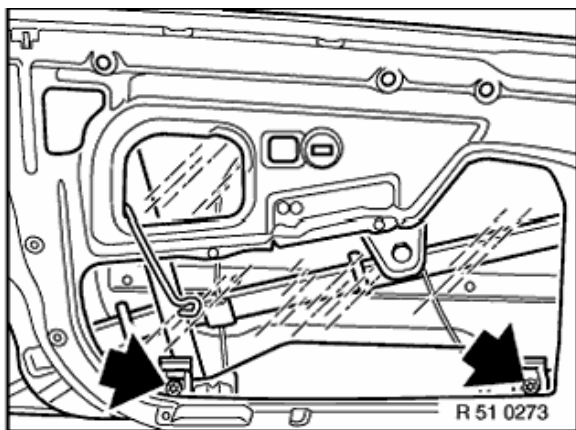


Installation:

Install window regulator in locating bracket and install all screws loose.

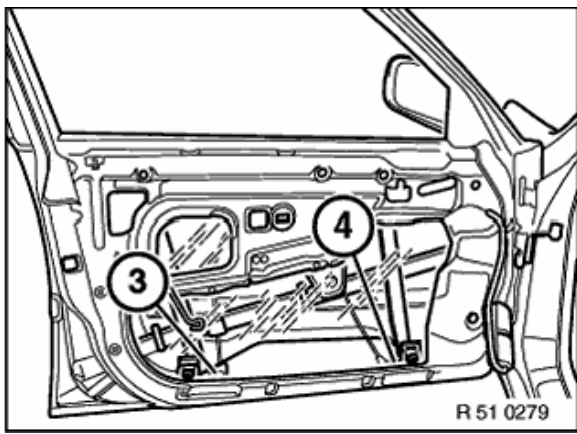
Tighten down screws (1) and (2).

Tightening torque, refer to Technical Data 51 33 2AZ



Installation:

Installing door window in clamps of window regulator and adjusting door window, refer to 51 32 154

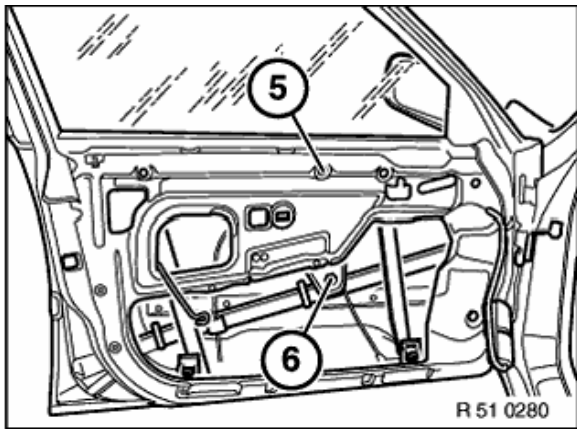


Installation:

Lower door window down to stop.

Tighten down screws (3) and (4).

Tightening torque, refer to Technical Data 51 33 2AZ



Installation:

Close door window firmly.

Tighten down screws (5) and (6).

Tightening torque, refer to Technical Data 51 33 2AZ